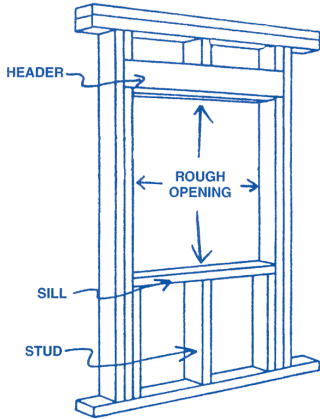
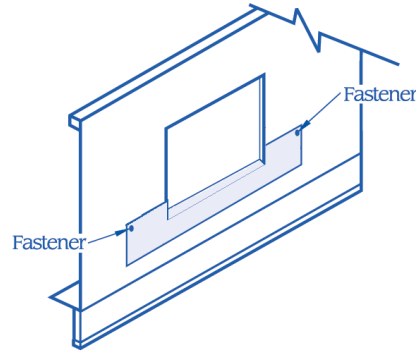


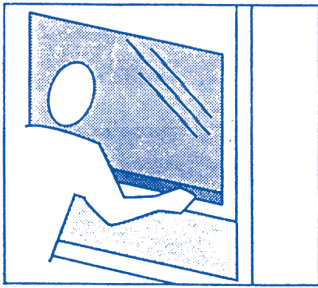
NEW CONSTRUCTION WINDOW INSTALLATION INSTRUCTIONS



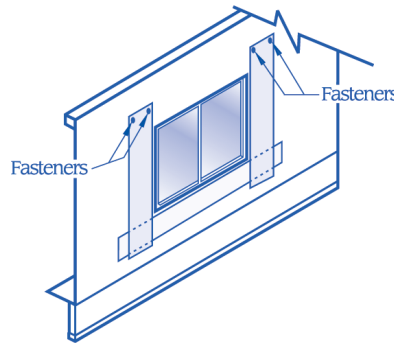
1. Make rough opening of frame 1/2' wider and 1/2" higher than window finish size.



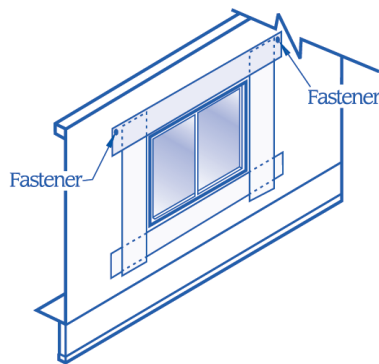
2. Install window tape at the sill. Cut section of tape the width of the rough opening plus at least 12". Remove the backing paper, center and install across the sill. Make two cuts so the top half extends into the rough opening and the other half is bonded to the sheathing. Set the window frame into the rough opening and from the outside, place one nail in each of the top corner fins.



3. Before installing all the remaining nails, check the sash that they are operating properly, to insure the frame is square. Then secure the window with 1 3/4" roofing nails in every other prepunched hole on the nailing fin.



4. Install vertical sections of window tape over the jamb nail fins and to the sheathing. Section should overlap the sill section at the bottom and extend 3" above rough opening at top.



5. Install window tape to the head flange and sheathing. Head section should extend beyond jamb sections on either side. Jamb sections should not extend above head section.

Note:

Generally no additional tape or sealants are required. When an unusual condition interferes with smooth installation, use a bead of premium exterior-grade caulk at the edge to fill any voids.