

CERTIFIED TEST PERFORMANCE - TEST REPORT

550 SINGLE SLIDER

STRUCTURAL AAMA/NWWDA 101/I.S. 2-97
 HUD UM 111
 TEST SIZE 5'9" x 4'0" R 20

AIR INFILTRATION - ASTM E 283-91

TEST PRESSURE	1.57 psf	RESULTS	ALLOWED	
		.04 SCFM/FT ²	.30 SCFM/FT ²	PASSED

WATER RESISTANCE - ASTM E 547

5 GAL. HOUR FT - 4 TEST CYCLES - 24 MINUTES

DESIGN PRESSURE	20.0 psf	PASSED
TEST PRESSURE	3.0 psf	PASSED

UNIFORM STRUCTURAL LOAD - ASTM E 330

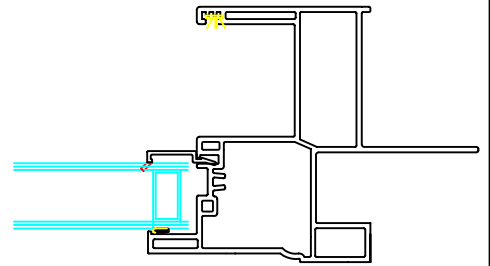
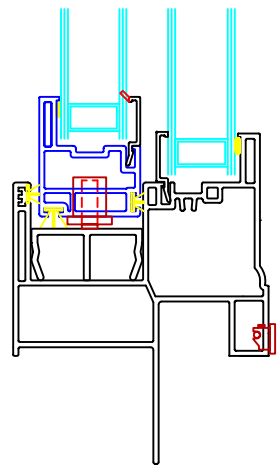
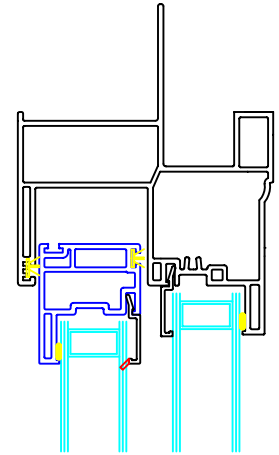
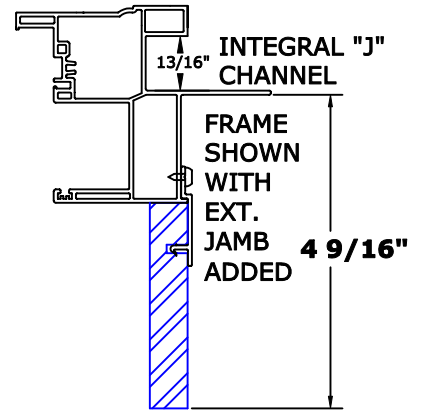
DESIGN PRESSURE - 40.0 psf	RESULTS	ALLOWED	
POSITIVE LOAD 30.0 psf	.03 in.	.17 in.	PASSED
NEGATIVE LOAD 30.0 psf	.05 in.	.17 in.	PASSED

WELDED CORNER TESTS - AAMA METHOD

FRAME - FOUR CORNERS	PASSED
SASH - EIGHT CORNERS	PASSED

FROCED ENTRY RESISTANCE - AAMA 1302.5

LEVEL A	GRADE 10	PASSED
---------	----------	--------



10197 AAMA	QUALITY CONTROL & TESTING	SERIES: 550 SINGLE HUNG AAMA/NWWDA 101/I.S. 2-97	Complies with HUD
	AAMA CERTIFICATION PROGRAM	ACCREDITED BY AMERICAN NATIONAL STANDARDS INSTITUTE	UM 111
A-1-100 VALIDATOR	MFR. CODE: SBL-1		

