

**CERTIFIED TEST PERFORMANCE - TEST REPORT**

**600-700 HORIZONTAL SLIDER**

STRUCTURAL AAMA/NWWDA 101/I.S. 2-97  
 HUD UM 111  
 TEST SIZE 72" x 52" R 25

**AIR INFILTRATION - ASTM E 283**

|                      |                 |                           |                          |        |
|----------------------|-----------------|---------------------------|--------------------------|--------|
| <b>TEST PRESSURE</b> | <b>1.57 psf</b> | <b>RESULTS</b>            | <b>ALLOWED</b>           |        |
|                      |                 | .046 SCFM/FT <sup>2</sup> | .30 SCFM/FT <sup>2</sup> | PASSED |

**WATER RESISTANCE - ASTM E 547**

**5 GAL. HOUR FT - 4 TEST CYCLES - 24 MINUTES**

|                        |          |        |
|------------------------|----------|--------|
| <b>DESIGN PRESSURE</b> | 25.0 psf | PASSED |
| <b>TEST PRESSURE</b>   | 3.75 psf | PASSED |

**UNIFORM STRUCTURAL LOAD - ASTM E 330**

|                                   |                 |                |                |        |
|-----------------------------------|-----------------|----------------|----------------|--------|
| <b>DESIGN PRESSURE - 15.0 psf</b> |                 | <b>RESULTS</b> | <b>ALLOWED</b> |        |
| <b>POSITIVE LOAD</b>              | <b>22.5 psf</b> | .050 in.       | .192 in.       | PASSED |
| <b>NEGATIVE LOAD</b>              | <b>22.5 psf</b> | .065 in.       | .192 in.       | PASSED |
| <b>DESIGN PRESSURE - 25.0 psf</b> |                 |                |                |        |
| <b>POSITIVE LOAD</b>              | <b>37.5 psf</b> | .150 in.       | .192 in.       | PASSED |
| <b>NEGATIVE LOAD</b>              | <b>37.5 psf</b> | .190 in.       | .192 in.       | PASSED |

**WELDED CORNER TESTS - AAMA METHOD**

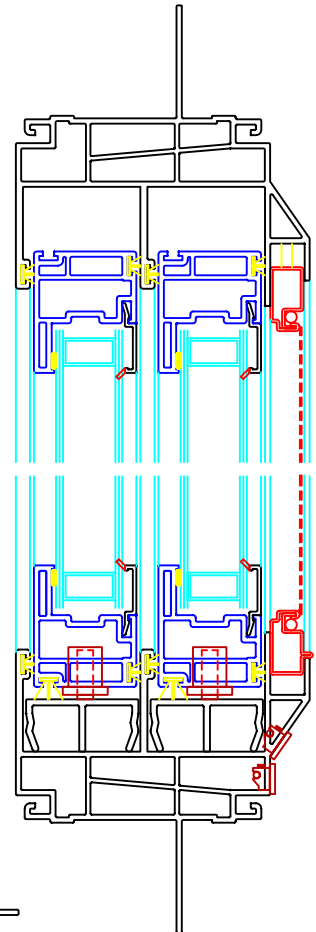
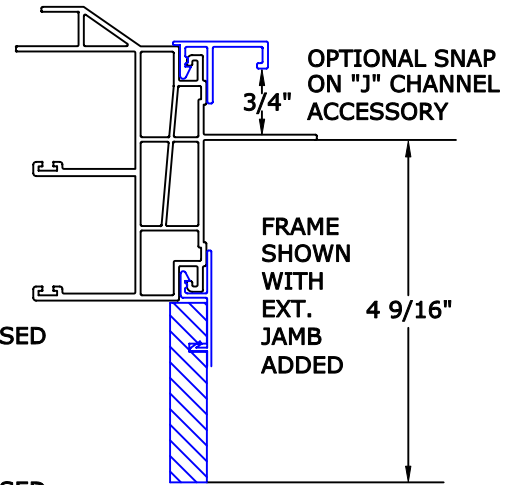
|                      |        |
|----------------------|--------|
| FRAME - FOUR CORNERS | PASSED |
| SASH - EIGHT CORNERS | PASSED |

**FROCED ENTRY RESISTANCE - AAMA 1302.5**

|                          |        |
|--------------------------|--------|
| TEST A, B, C, D, E, F, G | PASSED |
|--------------------------|--------|

**NFRC - 100-97 THERMAL TEST REPORT**

STANDARDIZED THERMAL TRANSMITTANCE VALUE 0.36 BTU/HRFT<sup>2</sup> F



|                |   |   |                                    |
|----------------|---|---|------------------------------------|
| 10198<br>AAMA  | QUALITY CONTROL & TESTING   | SERIES: 600/700 HORIZ. SLIDER<br>AAMA/NWWDA 101/I.S. 2-97 | Complies with HUD<br><b>UM 111</b> |
|                | <b>AAMA CERTIFICATION PROGRAM</b>   | <b>HS-R25-72x52</b>                                       |                                    |
| A1-10 VALUATOR | ACCREDITED BY<br>AMERICAN NATIONAL STANDARDS INSTITUTE<br>NFR CODE: SEL-1 |   |                                    |

